

***Accurate***

807 E. Parkridge Ave • Corona, CA 92879

1-888-ACCU-372 • 951-479-0909 • Fax: 951-479-0305

[www.accuratefishing.com](http://www.accuratefishing.com)



A white line-art illustration of a fishing reel is positioned on the left side of the page. The drawing shows the main body of the reel, the handle, and the spool. The handle has a textured grip with oval-shaped indentations. The spool is large and circular, with a smaller component visible on its side. The entire illustration is rendered in white lines against a solid grey background.

# TWINSPIN REEL

USAGE MANUAL

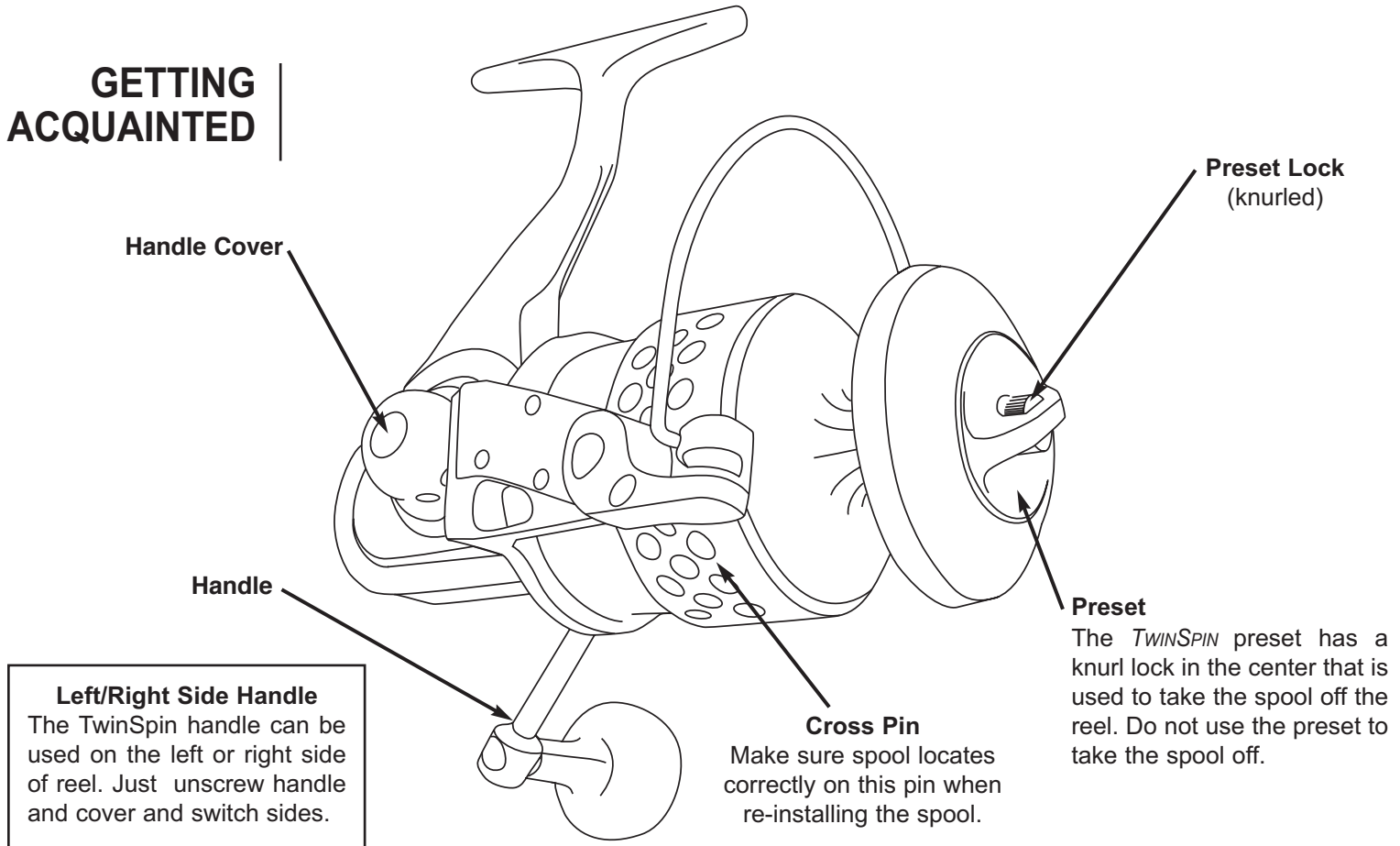
***Accurate***

# CONTENTS

Features	1
Getting Acquainted	2
Operation	3
Drag Variance	3
Spool Assembly	4
Filling the spool	5
Rod Mounting	5
Line Capacities	6
Maintenance	7
Warranty	8

***Accurate***

## GETTING ACQUAINTED



### Left/Right Side Handle

The TwinSpin handle can be used on the left or right side of reel. Just unscrew handle and cover and switch sides.

### Cross Pin

Make sure spool locates correctly on this pin when re-installing the spool.

### Preset Lock (knurled)


### Preset

The *TWINSPIN* preset has a knurl lock in the center that is used to take the spool off the reel. Do not use the preset to take the spool off.

\* The spool stud for tying the line to the spool it can be unscrewed to remove.

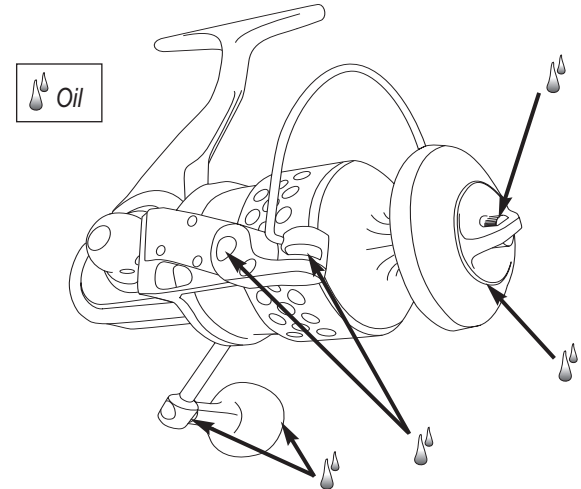
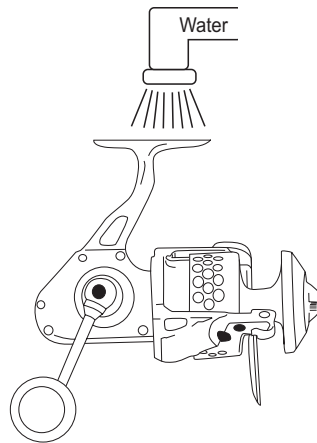
# MAINTENANCE

**Bearing Maintenance** - The Class 5 A.B.E.C. bearings in the *TWINSPIN* are teflon impregnated in the ball bearing race; thus, no lubrication is needed for these bearings.

Wash down your *TWINSPIN* with fresh water after each use. We recommend lightly spraying it to prevent water from being forced inside. Do not completely submerge the reel into water. Wipe the exterior parts with an anti-corrosion lubricant. We recommend Corrosion X® by Corrosion Technologies. Use a good quality reel oil to lubricate all the parts indicated with the oil  symbol.

Periodically, check all exterior screws to make sure they are tight. Screws may loosen over time with boat vibrations.

We recommend yearly maintenance of your *TWINSPIN* Reel with a service professional. Preventative maintenance of your *TWINSPIN* Reel will keep the internal parts in proper working condition and prolong the life of the reel.



# WARRANTY

## Accurate Fishing Products One Year Limited Warranty TwinSpin Reels

**How Long Does The Limited Warranty Coverage Last?** This limited warranty runs for a period of one (1) years starting from the date that the TwinSpin reel was first purchased by the consumer. Coverage terminates if you sell or otherwise transfer the reel.

**What Does The Limited Warranty Cover?** Accurate Fishing Products warrants to the original purchaser that its TwinSpin fishing reels are free from defects in material and workmanship with the exceptions stated below. Accurate Fishing Products will also, free of charge, lubricate your TwinSpin reel one (1) time during the term of this Limited Warranty.

**What Is Not Covered By This Limited Warranty?** This limited warranty does not cover damage or problems caused by misuse, abuse, neglect, accident, installation, alterations or failure to properly maintain the reel.

**What Will Accurate Fishing Products Do?** Accurate Fishing Products will repair or replace any reel which is defective in material or workmanship covered by this limited warranty at no charge. Accurate Fishing Products will also, free of charge, lubricate your TwinSpin reel one (1) time during the term of this Limited Warranty.

**How Do You Get Service?** If something goes wrong with your reel, or you want to receive the annual lubrication service, send it to Accurate Fishing Products, postage pre-paid, along with a sales receipt or other proof of the date of purchase. Be sure to include a short note explaining the problem. Send the *TWINSPIN* reel to Accurate Fishing Products at:

**Accurate Fishing Products Warranty Repairs 807 E. Parkridge Avenue Corona, California 92879 1-888-ACCU-372**

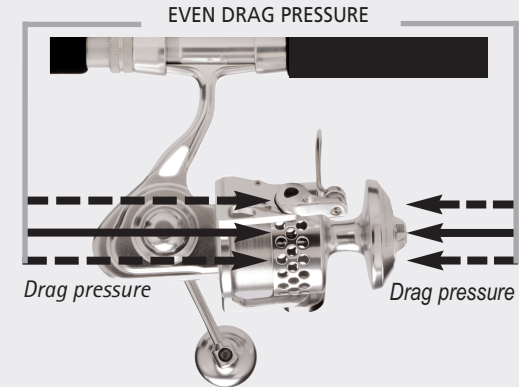
Please pack your reel with all parts that have been removed securely in a sturdy box. Be certain that your package is adequately insured and mailed with a shipping company that has tracking capabilities. Be sure to include your name, address and telephone number. Accurate Fishing Products will inspect your reel and contact you within 30 days of receipt to inform you whether the problem is covered by this limited warranty. There is no charge for the inspection.

**What Are The Warranty Limitations And Limitations Of Liability?** There are no other express warranties. Any warranty of merchantability or fitness for a particular purpose is limited to the duration of this limited warranty. Accurate Fishing Products shall NOT be liable for any loss of use, loss of time, inconvenience, commercial loss, or other incidental or consequential damages. Some states do not allow limitations on how long an implied warranty lasts, or the exclusion or limitation of incidental or consequential damages, so the above limitations and exclusions may not apply to you. This limited warranty gives you specific legal rights, you may have additional rights which vary from state to state.

# FEATURES

- Patented TwinDrag™ system
- Machined Billet 6061 T6 aluminum
  - Body, Frame, Rotor, Spool
- 14 Class-5 ABEC stainless steel bearings
- Preset with identification marks
- Titanium drag friction washers
- Removable spool stud
- AccuDrags
- Stainless-steel gears, springs & screws
- Power knob - Ergonomic designed for comfort and a sure grip
- 1-year warranty
- AccuCare reel service
- Proudly designed and manufactured in the USA

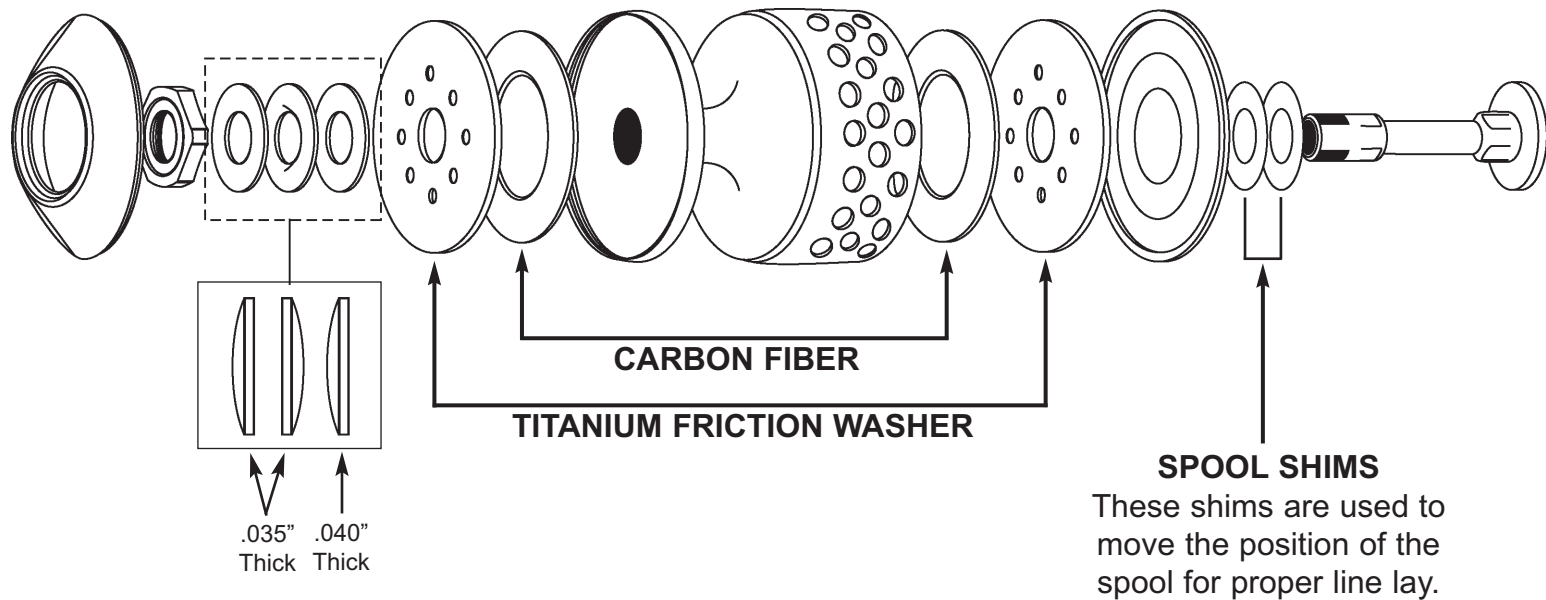
## THE TWINDRAG™ SYSTEM



Traditional fishing reel design applies the drag pressure to only one side of the spool — resulting in uneven pressure placed on reel components and excessive heat buildup. The TwinDrag™ system applies equal pressure to both sides of the spool which distributes the drag friction over the surface of two drag plates instead of one. That's 50% of the total drag pressure on each side, resulting in a smoother drag with less heat buildup and a balanced load on reel bearings and spool. TwinDrag™ reels also have extremely accurate drag settings with very little fluctuation. In fact, TwinSpin reels will fluctuate less than 1-pound in total drag when line is drawn at any speed. For example: when the drag is set to 20 pounds on a TwinSpin reel, drag pressure will only vary between 19.5 and 20.5 pounds, or less!



# SPOOL ASSEMBLY



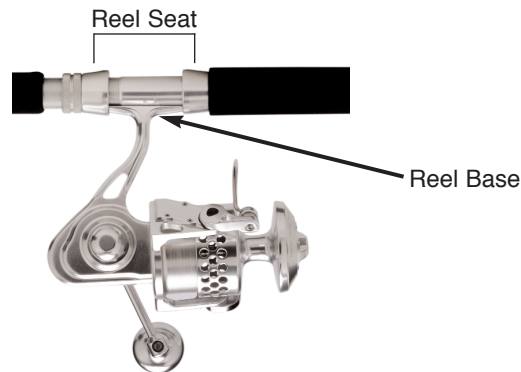
## FILLING THE SPOOL

Begin filling the *TWINSPIN* Reel by attaching the line securely to the reel spool. With tension applied to the line, fill the spool to approximately 1/4" from the spool edge. .

Because of mono compaction when using ultra light line, we recommend first filling the spool with at least 2/3 dacron line. Mono Compaction - Mono compaction is a problem that happens with light line. The smaller the mono line diameter, the more elasticity the line will have. The elasticity is multiplied by the amount of line put on the spool which creates pressure on the spool. When too much light line is added, the pressure can expand the spool. This could cause the reel to perform with inconsistent drag pressure or, if enough pressure is built up, break the spool in half. Always put the least amount of ultra-light line on the reel as needed.

## ROD MOUNTING

Mount the reel to a rod with an aluminum or re-inforced reel seat. Make sure the reel base is securely clamped down in the reel seat. Check to see if the reel moves in the reel seat.

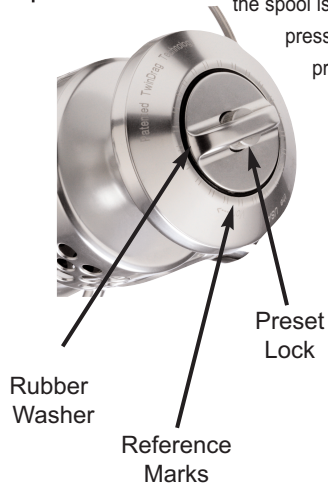


# LINE CAPACITIES

			LINE CAPACITY	SPECTRA LINE CAPACITY	
	MODEL	WEIGHT	GEAR RATIOS	lbs./line dia. inches/yds.	lbs./yds
<i>Coming Soon</i>	SR-20				
	SR-30	32.5 oz.	6:1	30/.022/325	65/500
<i>Coming Soon</i>	SR-30 L	32.5 oz.	4:1	30/.022/325	65/500

## OPERATION

Basic operation of your *TWINSPIN* Reel is no different from operating any other spinning reel except for setting the preset drag. Once the spool is filled with line you can set the preset drag. First test the drag pressure with the preset tuned to a light drag pressure (counter clockwise). Turn the preset clockwise until you reach your desired drag pressure. Standard practice is to set the drag pressure at approximately 30% of your line strength. We have lasered lines around the spool cover to give you a reference when turning the preset.



Make sure to keep the rubber washer on the preset well lubricated. If it is dry it will move with the spool when line is pulled off the reel in drag mode.

**Removing the Spool** - Turn the preset lock counter-clockwise to remove the spool. **Do not** turn the preset to remove the spool only turn the preset lock. Pull the spool off the spool shaft. When putting the spool back onto the reel make sure to turn the spool slightly to align it with the cross pin on the spool shaft.

## DRAG VARIANCE

Thanks to the *TWINSPIN* exclusive Twin Drag technology, the drag tension you set will vary no more than two pounds when line is pulled off the reel at any speed! Unfortunately, there is another factor which causes drag variance that needs to be accounted for. This factor is based on how full the reel is with line. When the spool is filled, the line is being pulled off a high point on the spool. As the amount of line on the spool reduces, the line is pulled from a lower area on the spool. There is less leverage used when the line is pulled at a lower level, which means the line needs more force to move the spool against the drag. The drag setting has not been decreased, but the line will encounter increased tension. Account for the drag pressure to approximately double when 25% of the line has been removed from a full spool.