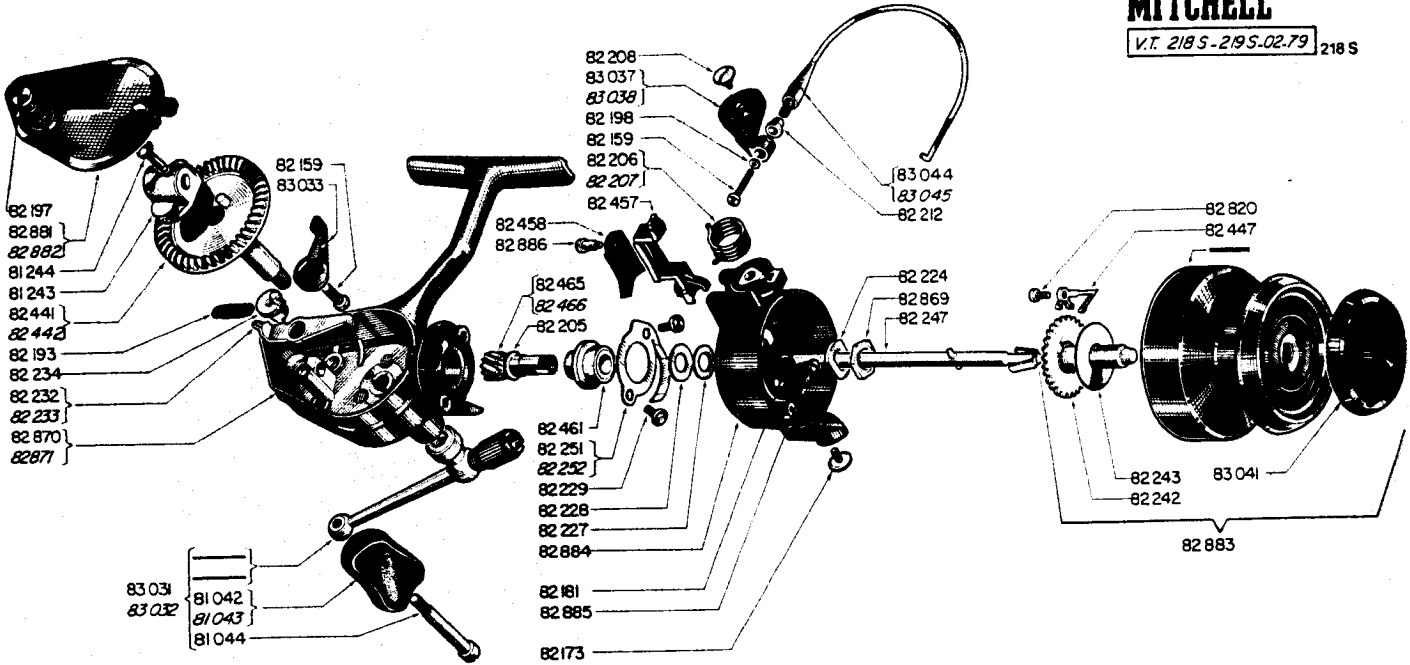


218S

MITCHELL

V.T. 218 S - 219 S-02-79 218 S



CODE NO.	DESCRIPTION	SUGGESTED RETAIL	CODE NO.	DESCRIPTION	SUGGESTED RETAIL
81042	Handle Knob	.60	82442	Drive Gear	7.30
81043	Handle Knob	.60	82447	Spool Click	.65
81044	Handle Knob Screw	.60	82455	Bail Wire	5.90
81243	Oscillation Slide	.40	82456	Bail Wire	5.90
81244	Oscillation Slide Lock	.25	82457	Bail Trip	.90
82159	Anti Reverse Lever Screw	.40	82458	Bail Trip Cover	.65
82173	Bail Screw N 2	.45	82461	Rotating Head Bearing	2.85
82181	Bail Trip Spring	.25	82465	Pinion Gear	1.85
*82189	Handle Complete	2.65	82466	Pinion Gear	1.85
*82190	Handle Complete	2.50	82820	Click Screw	.45
82193	Anti Reverse Spring	.25	82869	Hex Nut	.45
82197	Side Plate Screw	.40	82870	Housing	9.80
82198	Bail Wire Lock Washer	.25	82871	Housing	9.80
82201	Anti Reverse Lever	.65	82881	Cover Plate	2.10
82205	Thrust Washer R	.25	82882	Cover Plate	2.10
82206	Bail Spring	.40	82883	Spool Complete	6.25
82207	Bail Spring	.40	82884	Rotating Head	3.40
82208	Bail Screw N 1	.60	82885	Bail Trip Spring Screw	.30
82212	Line Guide	.85	82886	Bail Trip Cover Screw	.40
82224	Keyed Washer	.25			
82227	Rotating Head Washer	.25			
82228	Shims to Adj. Head/Pinion Gear	.25			
82229	Bushing Lock Screw	.25			
82232	Anti Reverse Dog	1.10			
82233	Anti Reverse Dog	1.10			
82234	Anti Reverse Cam	.45			
82242	Spindle	3.05			
82243	Drag Washer	.80			
82245	Drag Adjusting Knob	.60			
82247	Axle	2.05			
82251	Anti Inertia Brake	1.20			
82252	Anti Inertia Brake	1.20			
82260	Bail Wire Mount	2.85			
82261	Bail Wire Mount	2.85			
82441	Drive Gear	7.30			

*When present inventory is depleted, this part will be replaced by another number. Please refer to chart in back of book