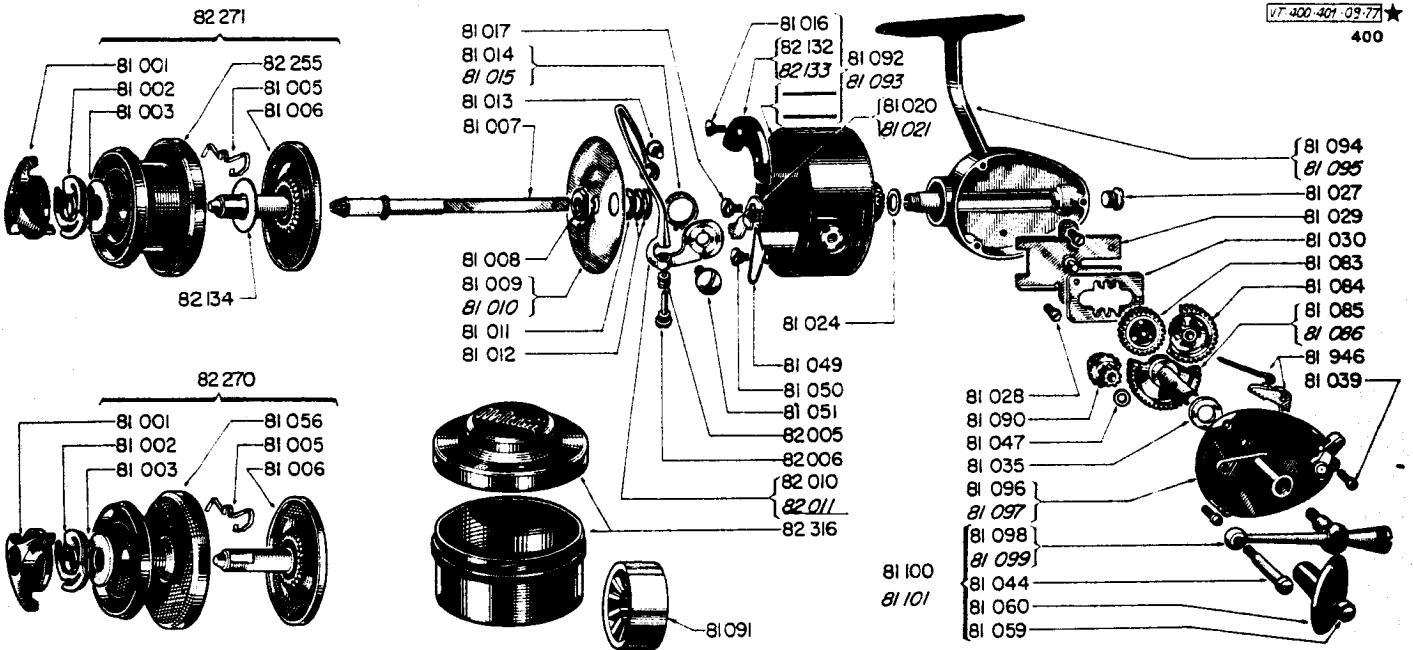


VT-300-401-09-77★
400



CODE NO.	DESCRIPTION	SUGGESTED RETAIL	CODE NO.	DESCRIPTION	SUGGESTED RETAIL
81001	Drag Adjusting Knob	.60	81085	Drive Gear	5.25
81002	Brake Spring	1.05	81086	Drive Gear	5.25
81003	Teflon Drag Washer	.25	81090	Pinion Gear	3.00
81005	Click Spring	.40	81091	Spool Arbor	1.00
81006	Spindle	2.45	81092	Rotating Head	7.60
81007	Axle	2.40	81093	Rotating Head	7.60
81008	Hex Nut	.25	81094	Housing	8.05
81009	Baffle Plate	.95	81095	Housing	8.05
81010	Baffle Plate	.95	81096	Cover Plate	7.60
81011	Baffle Plate Washer	.25	81097	Cover Plate	7.60
81012	Shims To Adjust Head Baffle Plate	.25	*81098	Handle Shank	5.40
81013	Bail Screw N 2	.45	*81099	Handle Shank	5.40
81014	Bail Spring	.45	81100	Handle Complete	8.25
81015	Bail Spring	.45	81101	Handle Complete	8.25
81016	Counterweight Screw	.25	81946	Anti Reverse Dog	.60
81017	Trip Lever Screw	.25	82005	Roller Line Guide	1.10
81020	Trip Lever	.85	82006	Line Guide Screw	.85
81021	Trip Lever	.85	82010	Bail	9.70
81024	Shims to Adjust Head Housing	.45	82011	Bail	9.70
81027	Lube Port Screw	.25	82132	Right Counterweight	.90
81028	Oscillation Guide Screw	.25	82133	Left Counterweight	.90
81029	Oscillation Guide	.95	82134	Fiber Washer	.25
81030	Oscillation Slide	.95	*82255	Spool small	2.85
81035	Shims To Adjust Drive Gear	.25	*82270	Spool Complete Large Less Container	5.50
81039	Cover Screw	.25	*82271	Spool Complete Small Less Container	3.65
81044	Handle Knob Screw	.60	82316	Spool Container	1.10
81047	Shims To Adjust Pinion Gear	.25			
81049	Trip Lever Spring	.25			
81050	Trip Lever Spring Screw	.25			
81051	Bail Screw N 1	.60			
*81056	Spool Large	6.50			
81059	Knob Lube Port	.25			
81060	Handle Knob	1.75			
81083	Pivot Gear	1.15			
81084	Transfer Gear	1.15			

*When present inventory is depleted, this part will be replaced by another number. Please refer to chart in back of book.