



*Monarch*TM

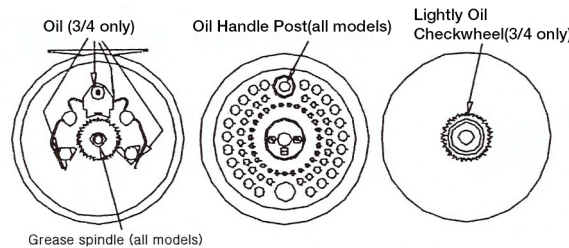


With care and periodic cleaning, your reel will serve you with years of excellent performance.

Care & Maintenance

The same method of cleaning is valid for all reels in the Monarch series.

1. Remove line and backing.
2. Remove the spool.
3. Flush away dirt by placing the spool and frame under a stream of warm water.
4. Dry carefully with a lint free cloth.
5. Lubricate with a good quality oil of the points illustrated on the diagrams.
6. Always ensure the spindle is adequately greased.
7. Always turn the drag to the minimum setting to avoid compression of the pad.
8. Always ensure the reel and line are dry before storing in the case or pouch.

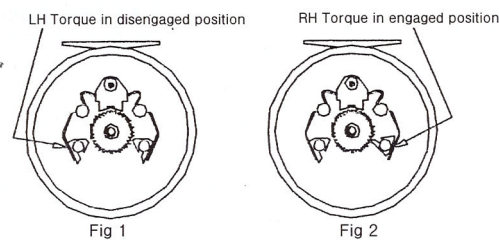


Changing your reel from left to right hand wind

All Monarch reels are designed to work in right and left hand wind. When you receive your reel, it will be set for left hand wind.

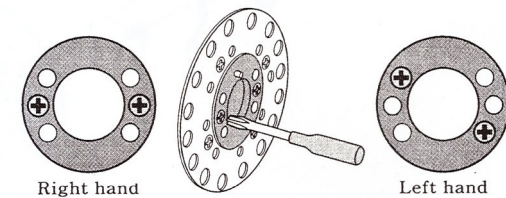
To convert your reel to right hand wind (3/4)

1. Remove the spool out of the frame
2. Switch the left hand tongue into the disengaged position As shown in fig 1
3. Switch the right hand tongue into the engaged position As shown in fig 2
4. Refit the spool into the frame



To convert your reel to right hand wind (5/6, 7/8 only)

1. Remove the spool out of the frame.
2. Turn the spool over so that the 2 fixing screws are visible.
3. Using a good fitting screwdriver, remove the 2 fixing screws from the housing plate.
4. Rotate the housing plate a few degrees counter-clockwise to locate alternate screw holes.
5. Replace the 2 fixing screws.
6. Replace the spool into the frame - your reel should now be right hand wind.



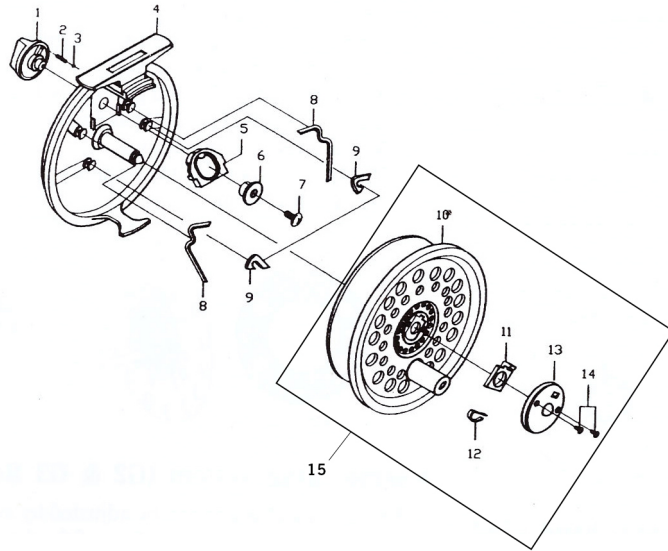
Series drag system (5/6, 7/8 only)

The drag mechanism can be adjusted by simply turning the drag knob on the face of the drum, clockwise to increase the drag, counter-clockwise to decrease the drag. When the reel is not in use, the drag should be turned to the lowest setting.

Warranty

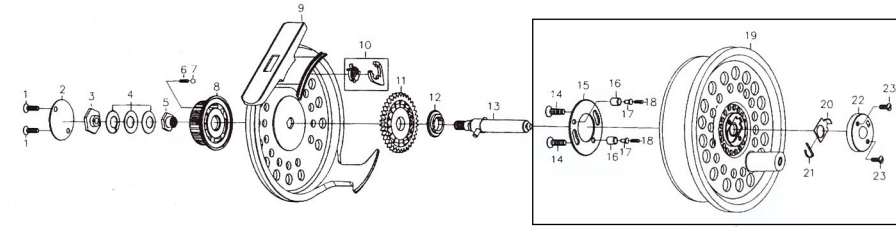
This reel has a one-year warranty. For complete warranty information, visit our website at www.pfluegerfishing.com

Pure Fishing, Inc • Columbia, SC
 Pure Fishing, Inc a subsidiary of Jarden Corporation
 (NYSE: JAH)



MONARCH 3/4

Item No.	SAP No.	Description
1	1380802	Click lever
2	1380803	Lever spring
3	1380804	Click ball
4	1380805	Housing
5	1380806	Slider plate
6	1380807	Cam
7	1380808	Cam screw
8	1380809	Claw spring (2 req.)
9	1380810	Click claw (2 req.)
10	1380811	Spool assembly
11	1380812	Release lever
12	1380813	Lever spring
13	1380814	Spool cap
14	1380815	Cap screw (2 req.)
15	1382737	Complete spool assembly



MONARCH 5/6 & 7/8

Item No.	SAP No.	Description
1	1380816	Cover screw (2 req.)
2	1380817	Drag knob cover
3	1380818	Drag screw
4	1380819	Drag washer
5	1380820	Main shaft nut
6	1380821	Drag knob click spring
7	1380822	Knob click ball
8	1380823	Drag knob
9	1380928	5/6 Housing
9	1380834	7/8 Housing
10	1380824	Clicker
11	1380825	Ratchet plate
12	1380826	Ratchet washer
13	1380827	5/6 Main shaft assembly
13	1380835	7/8 Main shaft assembly
14	1380828	Housing plate screw (2 req.)
15	1380829	Housing plate
16	1380830	Pin holder (2 req.)
17	1380831	Ratchet pin (2 req.)
18	1380832	Ratchet pin spring (2 req.)
19	1380833	5/6 Spool assembly
19	1380836	7/8 Spool assembly
20	1380812	Release lever
21	1380813	Lever spring
22	1380814	Spool cap
23	1380815	Cap screw (2 req.)
24	1382738	5/6 Complete spool assembly
24	1382769	7/8 Complete spool assembly