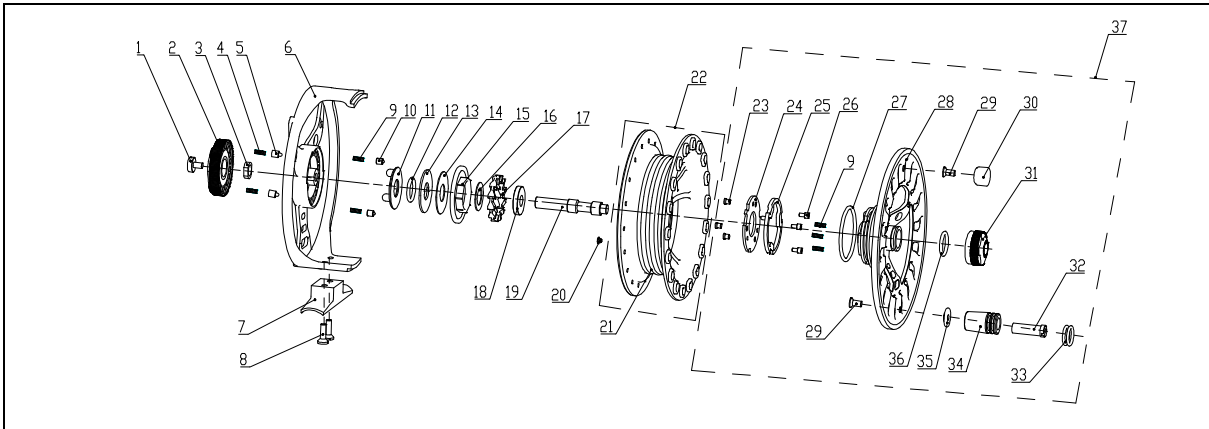


**PFL FLY SUPERME QRS 2/3/4/5-5/6/7/8-9/10/11/12**



ITEM	DESCRIPTION	QTY	PART NO.					
			2/3	4/5	5/6	7/8	9/10	11/12
1	Spindle Lock Screw (LH)	1	1441662					
2	Drag Knob	1	1447995					
3	Spindle Lock Nut	1	1441661					
4	Drag Knob Plunger Spring	2	1443367					
5	Plunger	2	1422021					
6	Frame	1	1447996		1447997		1447998	
7	Reelback	1	1447999					
8	Reelback Screw	2	1415893					
9	Plunger Spring	5	1422022					
10	Detent Plunger	2	1441657					
11	Push Plate	1	1441658					
12	O-Ring 13.2*1.6mm	1	1447983					
13	Key Washer	1	1441656					
14	Large Brake Pad	1	1441648					
15	Clutch Body	1	1441655					
16	Small Brake Pad	1	1441647					
17	Clutch Body Drive Plate	1	1441654					
18	Spindle Bush	1	1441659					
19	Spindle	1	1415882				1441660	
20	Cassette ID Pin	25	1441664					
21	Cassette	2	1446882	1446883	1446884	1446885	1446886	1446887
22	Cassette+5 Ident. Pins	1	1418391	1418392	1403616	1403617	1403621	1403622
23	Locking Ring Cover Plate Screw	3	1403625					
24	Locking Ring Cover Plate	1	1403623					
25	Locking Ring	1	1403624					
26	Ratchet Pin	3	1441663					
27	Locking Ring O Ring (AS568A-021)	1	1403633					
28	Spool Carrier	1	1448000		1448001		1448002	
29	Handle Screw	2	1441651					
30	Counter Balance	1	1448003				1448004	
31	Latch Nut	1	1448005					
32	Handle Wire	1	1448006				1448007	
33	8mm x 1mm Red O-Ring	2	1402631				1402631	
34	Handle Knob	1	1448008				1448009	
35	Handle Washer	1	1415887				1441653	
36	10mm ID x 0.070" O-Ring	1	1441665					
37	Spool Sub-Assembly	1	1448010		1448011		1448012	

Reel Part Numbers: SUPQRS 2/3/4/5,1431676;SUPQRS 5/6/7/8,1431677; SUPQRS 9/10/11/12,1431678

2700

Drawn:Jan-9-2017

Drawing Version:34-13378-00